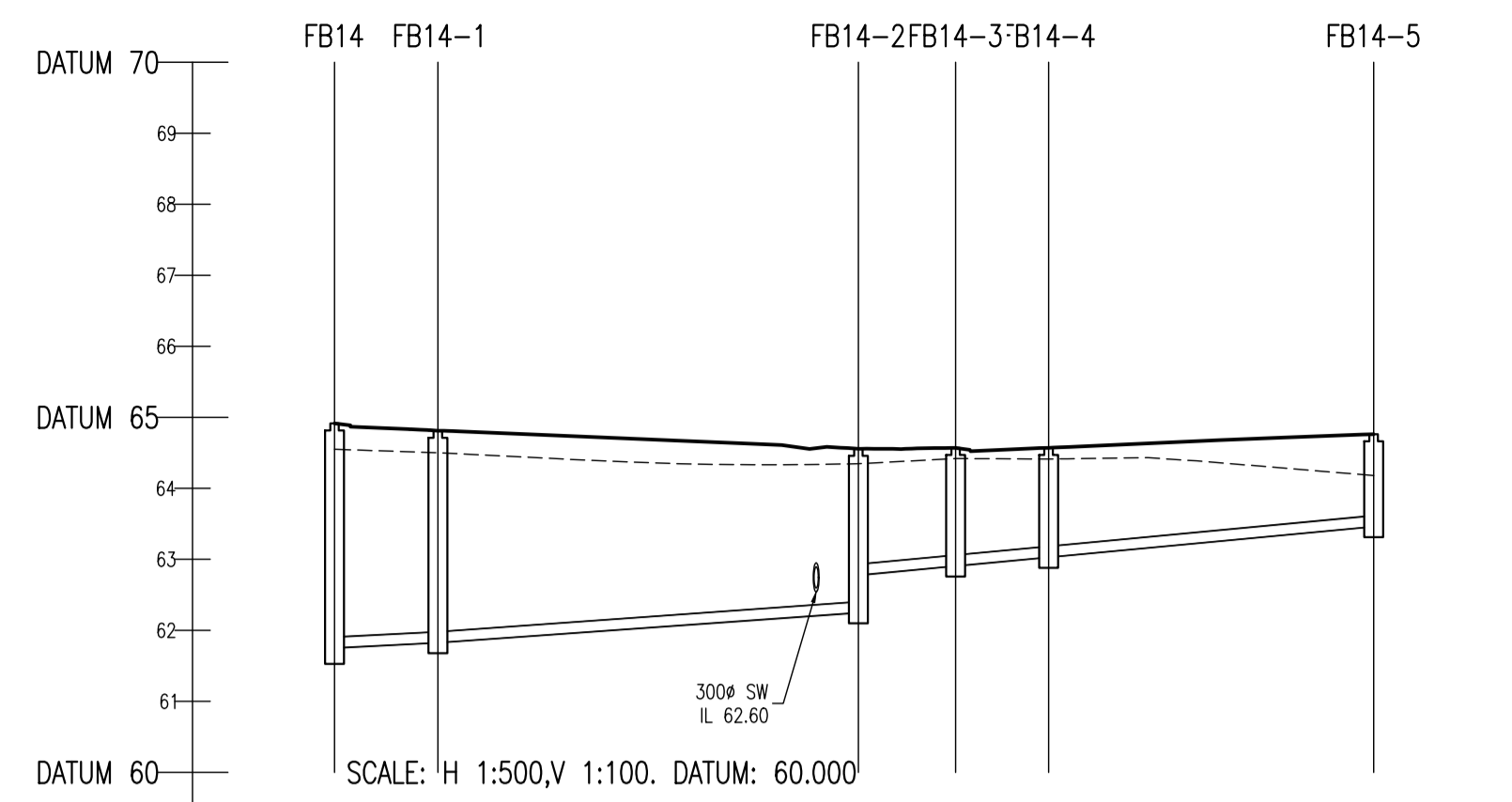
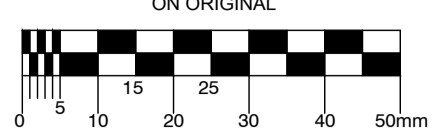


| | | | | |
|--------------|--------|--------|--------|--------|
| COVER LEVEL | 65.083 | 65.139 | 65.059 | 64.903 |
| INVERT LEVEL | 61.826 | 61.962 | 62.345 | 63.478 |
| DEPTH (m) | 4.002 | 3.177 | 3.064 | 1.425 |
| DISTANCE (m) | 12.49 | 51.27 | 66.04 | |
| PIPE SLOPE | 1:92 | 1:88 | 1:77 | |
| PIPE SIZE | 225mm | 225mm | 150mm | |



| | | | | | | |
|--------------|--------|--------|--------|--------|--------|--------|
| COVER LEVEL | 64.915 | 64.811 | 64.556 | 64.569 | 64.570 | 64.763 |
| INVERT LEVEL | 61.753 | 61.827 | 62.250 | 62.907 | 63.031 | 63.463 |
| DEPTH (m) | 3.237 | 2.984 | 2.306 | 1.661 | 1.539 | 1.300 |
| DISTANCE (m) | 7.28 | 29.61 | 6.85 | 6.55 | 22.89 | |
| PIPE SLOPE | 1:98 | 1:70 | 1:53 | 1:53 | 1:53 | |
| PIPE SIZE | 150mm | 150mm | 150mm | 150mm | 150mm | |

© COPYRIGHT OF THIS DRAWING IS RESERVED BY DBFL CONSULTING ENGINEERS. NO PART SHALL BE REPRODUCED OR TRANSMITTED WITHOUT THEIR WRITTEN PERMISSION.



- NOTES:
- ALL DRAWINGS TO BE CHECKED BY CONTRACTOR ON SITE AND ENGINEER INFORMED OF DISCREPANCIES BEFORE WORK COMMENCES
 - ALL LEVELS ARE IN METRES AND ARE RELATED TO ORDNANCE DATUM
 - CONTRACTOR SHALL SATISFY HIMSELF AS TO THE ACCURACY OF PAVEMENT LEVELS ON SITE PRIOR TO COMMENCEMENT OF WORKS ON SITE
 - ALL WORKS TO BE CONSTRUCTED IN ACCORDANCE WITH THE NRA SPECIFICATION FOR ROAD WORKS UNLESS NOTED OTHERWISE
 - THIS DRAWING IS FOR PLANNING PURPOSES ONLY
 - MANHOLE COVER LEVELS ARE TO CONFORM WITH FINISHED ROAD AND PATH LEVELS
 - WHERE COVER TO PIPE IS LESS THAN 1200mm (ROAD/PATH/VERGE) OR 900mm (OPEN SPACE) SURROUND PIPE IN MINIMUM 150mm CONCRETE

KEY
 - - - - - EXISTING GROUND PROFILE
 _____ PROPOSED GROUND PROFILE

| | | | | |
|-----|----------|----------------|-----|------|
| PT | 17/12/19 | PLANNING ISSUE | PJC | BCM |
| REV | DATE | DESCRIPTION | BY | CHKD |

STAGE 2 - PLANNING

| | | | |
|----------|----------|----------|-----|
| DESIGNED | BCM | PREPARED | PJC |
| DATE | OCT 2019 | CHECKED | DJR |



DUBLIN OFFICE: Ormond House,
 Upper Ormond Quay, Dublin 7, Ireland.
 PHONE +353 1 400 4000
 FAX +353 1 400 4050
 WATERFORD OFFICE: Unit 2, The Chandlery,
 1-2 O'Connell Street, Waterford, Ireland.
 PHONE +353 51 309 500
 FAX +353 51 844 913
 DBFL Consulting Engineers email: info@dbfl.ie site: www.dbfl.ie

PROJECT
NEWTOWNMOYAGHY SHD

DRG. TITLE
**LONGITUDINAL SECTIONS
 THROUGH FOUL SEWER
 SHEET 6 OF 6**

CLIENT
MCGARRELL REILLY

SCALE H 1:500, V 1:100 @A1 FILE REF. 190009-DBFL-XX-XX-DR-C-3021
 DRG. NO. 190009-DBFL-XX-XX-DR-C-3036 P1